

## EPV16A

**A low cost truck mountable articulating work platform designed to be fitted to most 3 tonne capacity trucks or larger to offer a versatile, "all in one" unit with a working height of 15.8m (51'10").**



## SPECIFICATIONS

<b>Working Height</b>	15.8m	51' 10"
<b>Platform</b>		
<b>Height</b>	13.8m	45' 3"
<b>Capacity</b>	200kg	450lb
<b>Size</b>	107x61x100cm	3'6"x2'x3'3"
<b>Construction</b>	Fibreglass	
<b>Levelling</b>	Mechanical	
<b>Boom Construction</b>	Steel	
<b>Boom Type</b>	Articulating	
<b>Horizontal Reach</b>	7.1m at 7.75m	23'0" at 25'6"
<b>Turntable Rotation</b>	360° continuous	
<b>Power Source</b>	Gasoline engine or truck mounted PTO.	
<b>Hydraulic System</b>	Open centre live hydraulic system. All cylinders equipped with holding valves.	
<b>Stabilisation</b>	One pair of hydraulic outriggers is standard. Additional stabilisers or torsion bar suspension available.	
<b>Standard Colour</b>	White boom/charcoal base.	
<b>Travelling Height (approx)</b>	2.8m	9' 2"
<b>Overall Length (typical)</b>	6.75m	22' 6"
<b>Overall Width (typical)</b>	1.95m	6' 6"
<b>Weight (approx)</b>	1,640kg	3,674lb

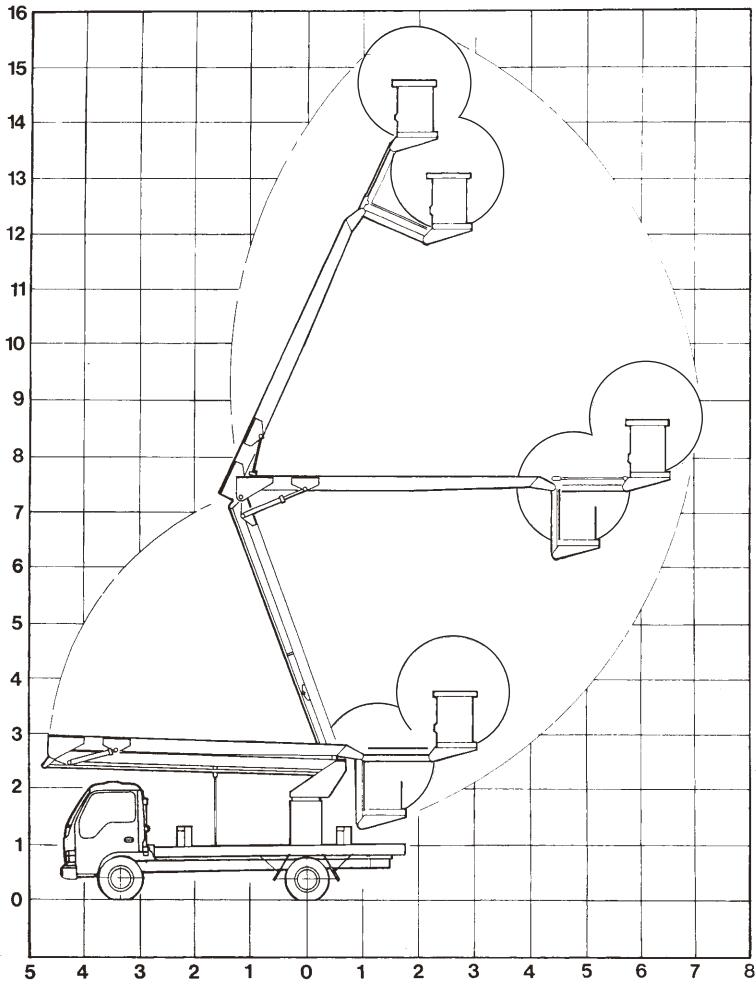
- All Steel boom & base construction
- Outrigger/Boom safety interlock switches
- Emergency manual bleed down
- Number coded wiring
- Fail safe hydraulics with check valves
- 5 Year Warranty

## EPV16A

### TRUCK MOUNTED ARTICULATING BOOM

#### Optional Equipment

- AC outlet in platform
- AC motorpower source
- Flashing light on boom
- Hour meter
- 100 KV insulation
- Safety belt & lanyard
- Hydraulic outlet in platform
- 1/2 inch airline to platform
- Full deck and access way



Danger: Standard models described in this brochure are NON-INSULATED and do not provide electrocution protection from contact with or close proximity to energised conductors which is pointed out on the decals and placards attached to the machine.  
Only qualified operators and trained operators are to be authorised to use and operate a work platform.  
Aerial work platforms must be elevated only on a firm, level surface.  
Outriggers must be extended and set and the machine must be level before use.

Products in this brochure comply with relevant ANSI and Australian Standards. This literature is for illustrative purposes only. Consult Operating/Maintenance and Parts Manuals for proper procedures. Specifications may vary and are subject to change without notice.

2/26 Redfern Street  
Wetherill Park, NSW 2164  
Australia

Phone: +61-2-97254000  
Fax: +61-2-96093507

42 Tawa Drive, Albany  
Auckland  
New Zealand

Phone: +64-9-4421915  
Fax: +64-9-4421916

1609 Roseport Road  
Elwood  
KS 66024  
USA

Phone: 785-989-3000  
Fax: 785-989-3070